



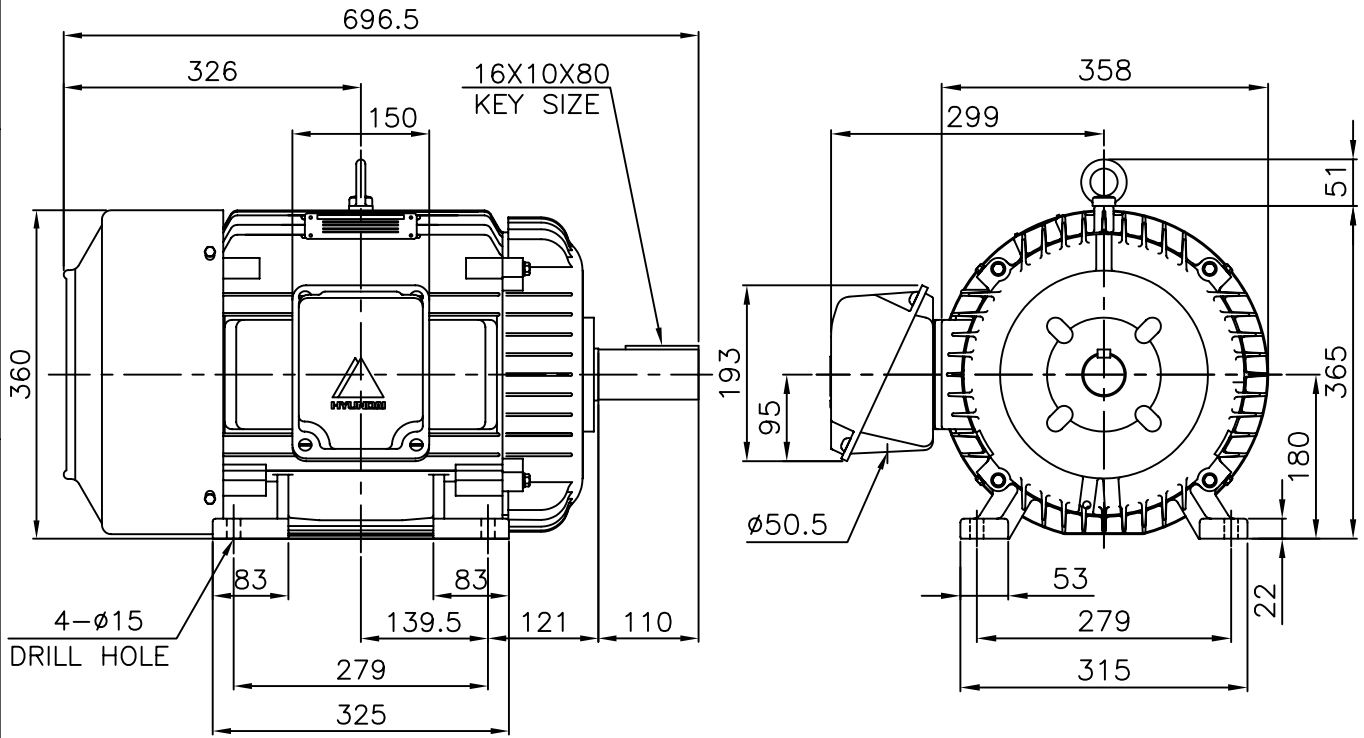
TEFC

THREE PHASE INDUCTION MOTOR

TYPE

HL, HLS

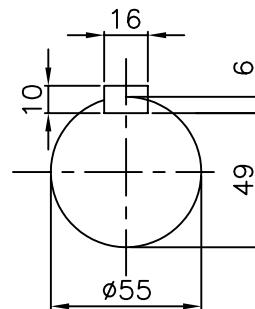
CAST IRON FRAME



NOTE

1.TOLERANCE :

CENTER HEIGHT	180	$\begin{matrix} 0 \\ -0.5 \end{matrix}$
BASE HOLES	$\phi 15$	$\begin{matrix} +0.43 \\ 0 \end{matrix}$
SHAFT DIAMETER	$\phi 55$	$\begin{matrix} +0.030 \\ +0.011 \end{matrix}$
KEYWAY WIDTH	16	$\begin{matrix} 0 \\ -0.043 \end{matrix}$
KEYWAY DEPTH	6	$\begin{matrix} +0.2 \\ 0 \end{matrix}$



* STEEL CONDUIT BOX

APPD BY	J. H. KIM	UNIT	mm	SUBJECT	KS 180L	CAD PROJ \ FILE
CHKD BY	Y. S. KIM	SCALE	1/8.5			XSDNKS \ B2000AA08
CHKD BY	S. H. KO	PROJEC'N	3rd Angle	TITLE OUTLINE		
DSND BY	I. K. KIM	DATE	2002.10.27			
				REF. NO	B2000AA08	Sheet No. of
				DWG NO	227B2000AA08	Revision No. 0