

Customer :
Project Name :
Project No. :
Revision No. :

SPECIFICATION for INDUCTION MOTOR



Contents

- | | |
|--------------------------------------|-----------|
| 1 . Data Sheet of AC Induction Motor | - 1Sheets |
| 2 . Speed-Torque & Current Curve | - 1Sheets |
| 3 . Outline Dimension Drawing | - 1Sheets |
| 4 . Main Terminal Box Drawing | - 1Sheets |

AC INDUCTION MOTOR DATA SHEET

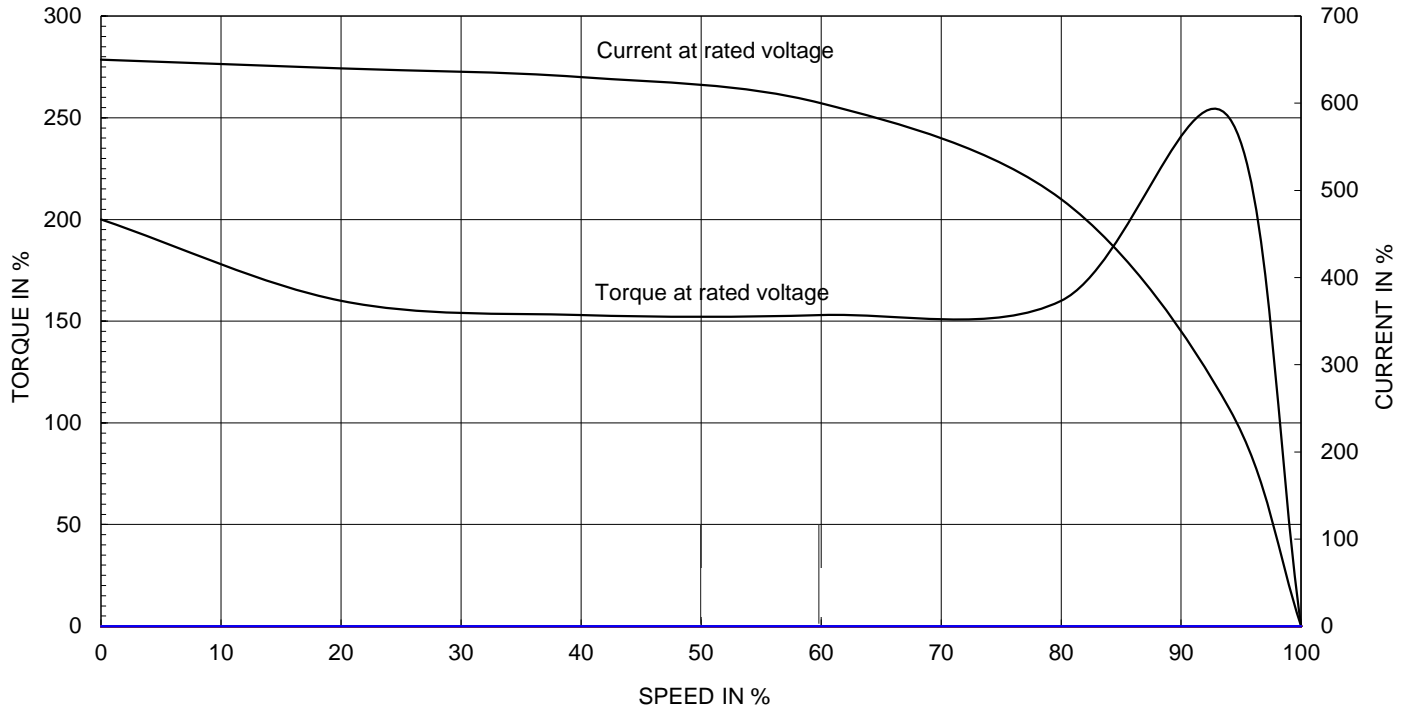
Model No.or RFQ No.	2206KSTD40SSDS1STFE3V11DL0SDS	Item No.		Rev. No.	[]		
Project Name		Project No.		Quantity			
GENERAL SPECIFICATION			PERFORMANCE DATA				
Frame Size	90L	Rated Output	1.1 kW	2 HP			
Type	HLP	Number of Poles	2				
Enclosure(Protection)	Totally Enclosed (IP55)	Rotor Type	Squirrel Cage				
Method of Cooling	IC411(FC)	Starting Method*	<input checked="" type="checkbox"/> D.O.L	<input type="checkbox"/> Y-Δ			
Rated Frequency	60 Hz	Rated Voltage	220 V				
Number of Phases	3	Current	Full Load	4.1 A			
Insulation Class	<input checked="" type="checkbox"/> F <input type="checkbox"/> B <input type="checkbox"/> H		Locked-rotor**	1000 %			
Temp. Rise at full load (by resistance method)		Efficiency					
at 1.0 S.F	80 deg. C						
Motor Location	<input checked="" type="checkbox"/> Indoor <input type="checkbox"/> Outdoor						
Altitude	Less than 1000	50% Load		81.5 %			
Relative Humidity	Less than 80 %	75% Load		84.2 %			
Ambient Temp.	40 deg. C (Max.)	100% Load		84.0 %			
Duty Type	Continuous(S1)	Power Factor(p.u)					
Service Factor	1.15						
Mounting	<input type="checkbox"/> B3 <input type="checkbox"/> B5 <input checked="" type="checkbox"/> V1 <input type="checkbox"/> B3/B5						
Bearing	Type	Anti-Friction					
	DE/N-DE	6205ZZC3 / 6204ZZC3					
	Lubricant	Grease(SML4)					
External Thrust	Not applicable						
Coupling Method	<input checked="" type="checkbox"/> Direct <input type="checkbox"/> V-Belt	Moment of Inertia (J)					
Shaft Extension	<input checked="" type="checkbox"/> Single <input type="checkbox"/> Double						
Terminal Box	Main					<input type="checkbox"/> Steel <input checked="" type="checkbox"/> Cast Iron	Load(Max.)
	Aux.	<input type="checkbox"/> Yes <input checked="" type="checkbox"/> No	Motor		0.001 kg·m ²		
	Location	Refer to Outline Drawing					
Application		Sound Pressure Level (No-load & mean value at 1m from motor)					
Area classification	Non-Hazardous						
Type of Ex-Protection	Not applicable						
Applicable Standard	KS,IEC, NEMA MG1 Part30(Vpeak)	73 dB(A)					
ACCESSORIES		SUBMITTAL DRAWING					
		Outline Dimension Drawing		Motor Weight(Approx.)			
		V1		LM-T1095V1PL001	27 kg		
		Main T-Box Ass'y		3M-148548			
REMARK							
* Premium Efficiency * For use on PWM VFD 10:1VT, 3:1CT@1.0S.F&F Temp. rise							
SPARE PARTS							
						Date	DSND
2011-09-01		R.G. KIM	O.J. KIM	J.H. KIM	K.J. KANG		

Note: Others not mentioned in this data sheet shall be in accordance with maker standard.
 Above technical data are only design values and shall be guaranteed with tolerance of applicable standard.
 Inspection and performance test shall be maker standard, if not mentioned.
 * In case of Inverter-Fed Motor, performance data is based on sine wave tests.
 ** The data are based on rated voltage & frequency, and data are expressed as a percentage of full load value.

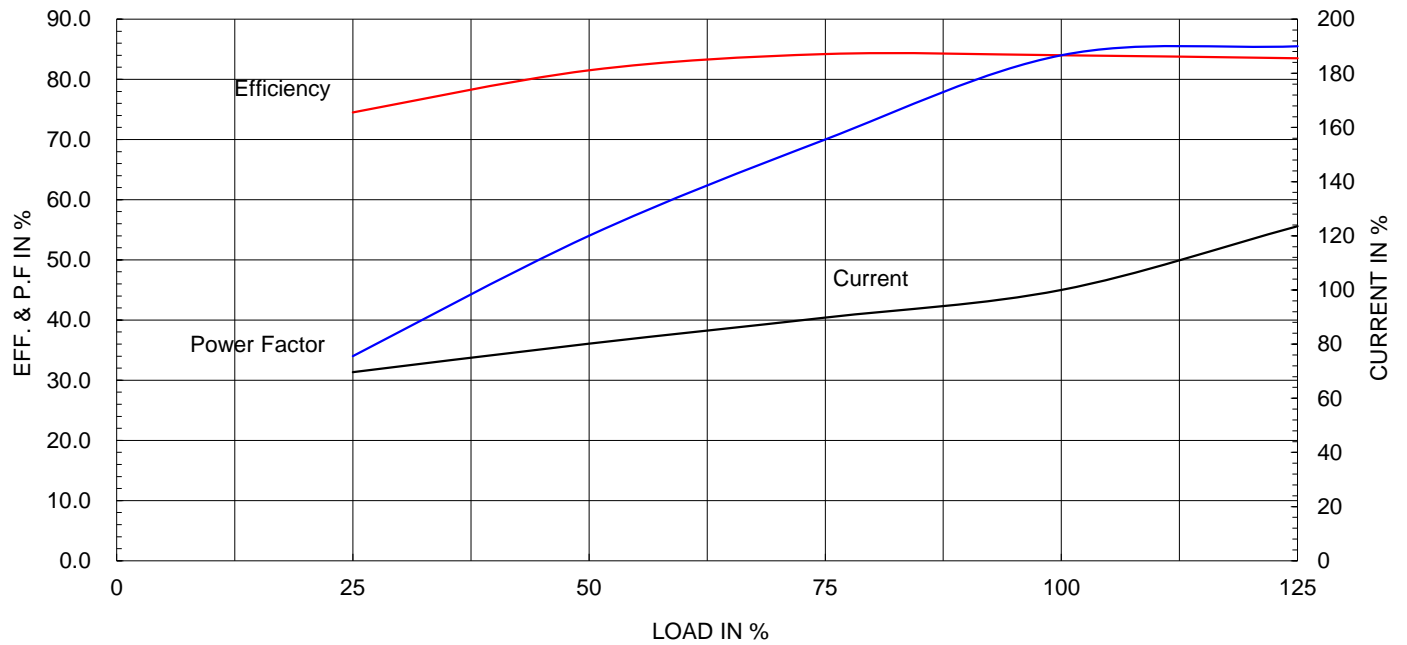
Type :	HLP
Full Load Torque :	0.3 kg.m
Motor moment of Inertia (J) :	0.001 kg.m ²
Load moment of Inertia (J) :	0.160 kg.m ²

1.1 kW	2 P	60 Hz
Speed at Full Load :		3500 RPM
Rated Voltage	220V	
Full Load Current	4.1A	

SPEED VS TORQUE & CURRENT CURVE



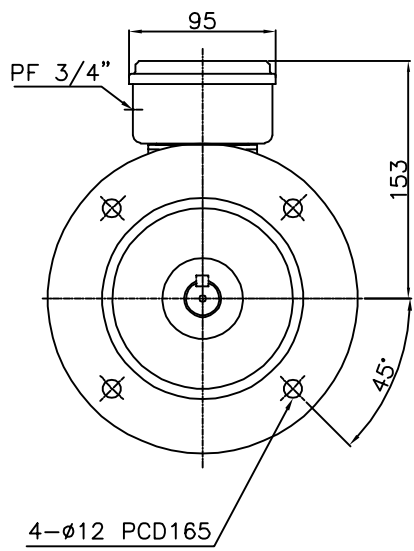
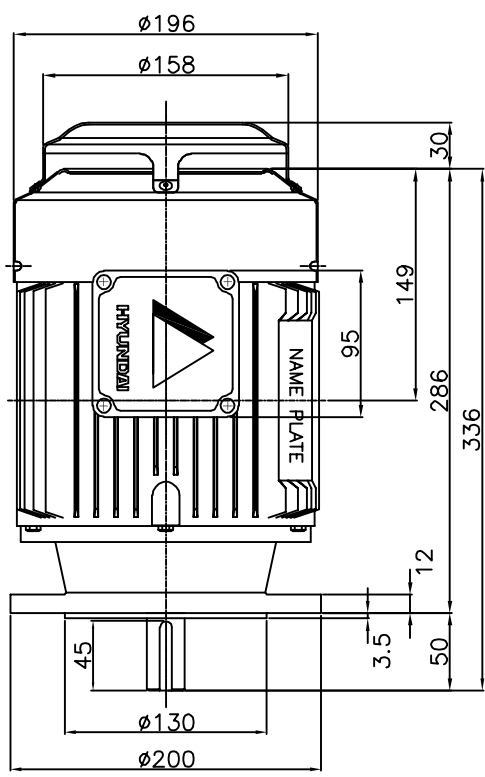
OUTPUT VS EFF., P.F & CURRENT CURVE



본 도면은 현대중공업(주) 재산이므로
허가없이 복사할 수 없음 (취급유의)

THIS DRAWING IS PROPRIETARY TO HHI. NO PART OF THIS DRAWING
MAYBE REPRODUCED WITHOUT THE PERMISSION OF HHI.

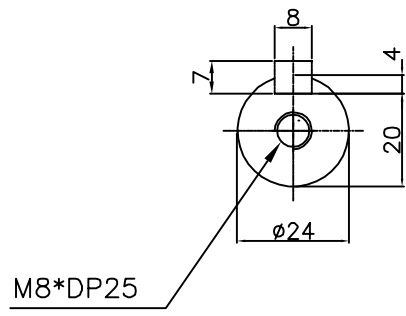
HYUNDAI HEAVY INDUSTRIES CO., LTD.	<h1 style="margin: 0;">TEFC</h1> <h2 style="margin: 0;">THREE PHASE INDUCTION MOTOR</h2>	TYPE	HL AL FRAME
--	--	-------------	----------------



NOTE

1. TOLERANCE :

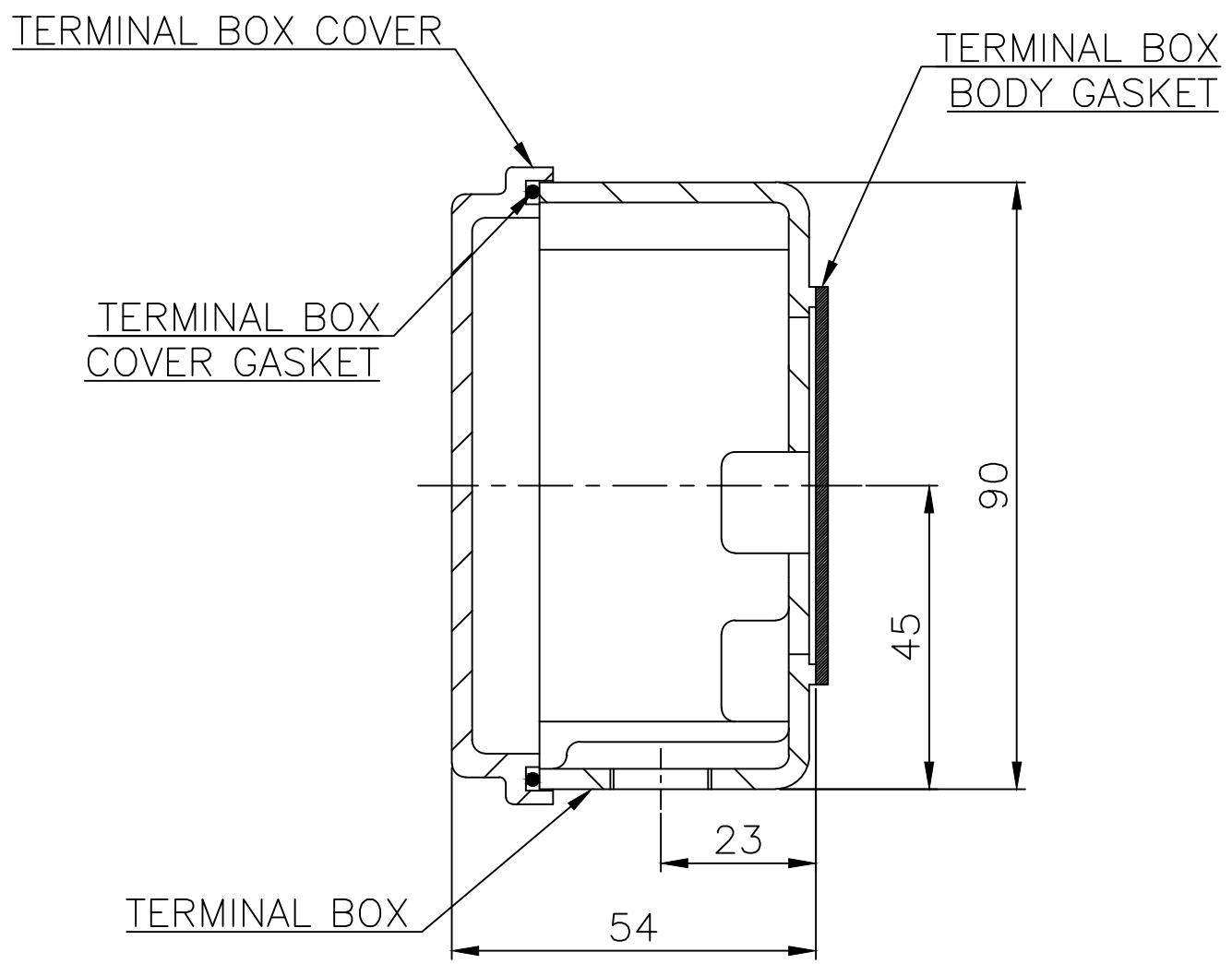
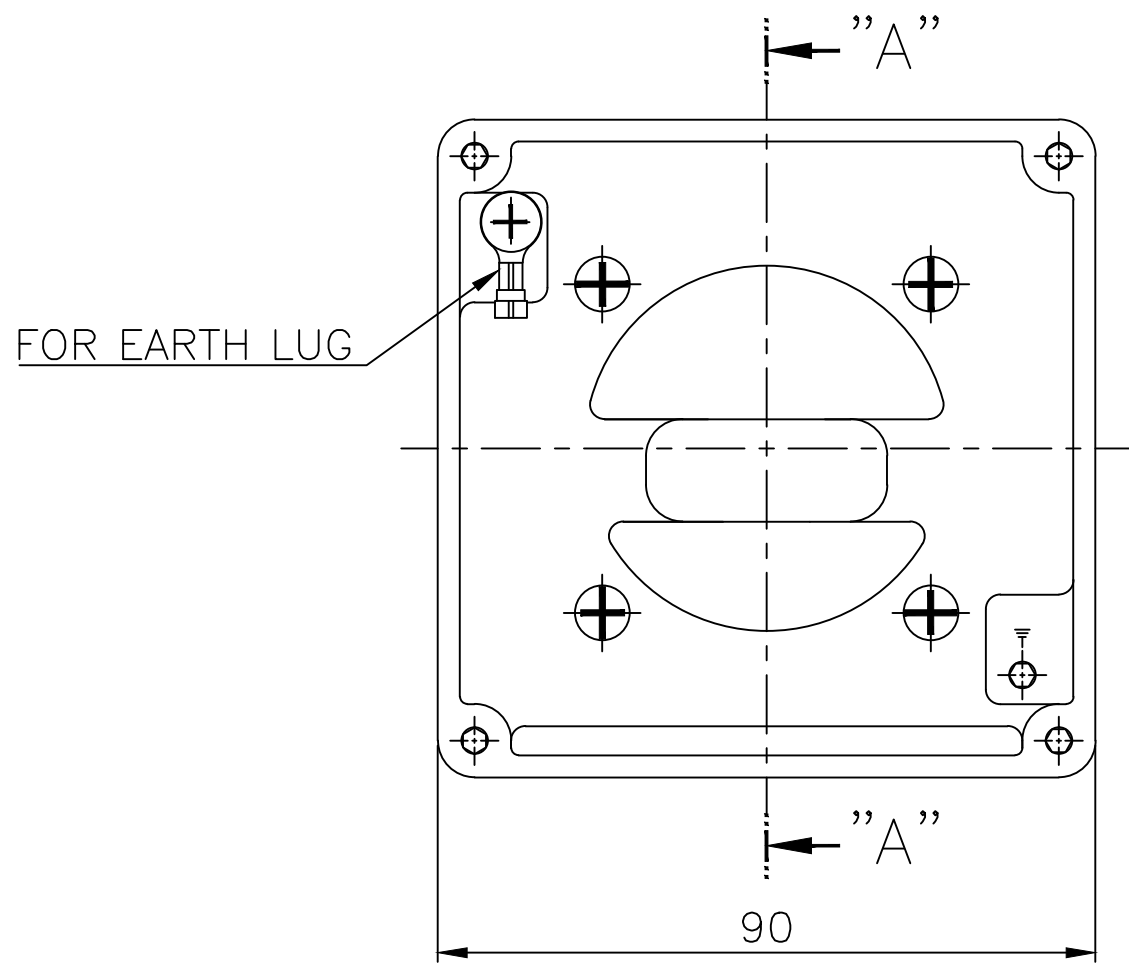
FLANGE HOLES	Ø12	+0.43 -0.
RABBET DIAMETER	Ø130	+0.014 -0.011
SHAFT DIAMETER	Ø24	+0.009 -0.004
KEYWAY WIDTH	8	+0 -0.036
KEYWAY DEPTH	20	+0 -0.2
KEY SIZE	8*7*45	



2. REMARK
DRIP COVER WILL BE ATTACHED PER REQUEST FROM CUSTOMER ONLY

* AL CONDUIT BOX

Q'TY	DESCRIPTION	MATERIAL	DIMENSION	WEIGHT	PART NO.	REMARK	NO.
APPD BY	K.J.KANG	UNIT	mm	SUBJECT	FF165, IEC 90		DWG SIZE
CHKD BY	J.H.KIM	SCALE	1/0.34	<div style="font-size: 2em; font-weight: bold;">Outline</div>		A4 ()	
CHKD BY	O.J.KIM	PROJEC'N	3각법 (3rd Angle)				
DSND BY	W.H.BAEK	DATE	2011-10-22				
HYUNDAI HEAVY INDUSTRIES CO., LTD.				REF. NO	227B5060TA03	Sheet No.	of
				DWG NO	LM-T1095V1PL001	Revision No.	0



SEC. "A" - "A"

▽	50S
▽▽	12.5S
▽▽▽	3.2S
▽▽▽▽	0.4S

REV	DATE	CONTENTS	REVD BY	CHKD BY	CHKD BY	APPD BY

일반가공공차		일반계관공차	
1-4	±0.1	6-30	±0.5
4-18	±0.2	30-120	±0.8
18-63	±0.3	120-315	±1.2
63-250	±0.5	315-1000	±2.0
250-	±0.8	1000-	±3.0

Q'TY	DESCRIPTION	MATERIAL	DIMENSION	WEIGHT	PART NO.	REMARK	NO.
APPD BY	S.K.HAN	UNIT	mm	SUBJECT	FR.71~90 (AL)	DWG SIZE	A3 (1:1)
CHKD BY	S.Y.KIM	SCALE	1/1	TITLE Terminal Box Arrangement			
CHKD BY	R.G.KIM	PROJEC'N	3각법(3rd Angle)				
DSND BY	이혜경R	DATE	2011-10-26	REF. NO	227B1537AA	Sheet No.	of
				DWG NO	3M-148548	Revision No.	2