

Customer :
Project Name :
Project No. :
Revision No. :

SPECIFICATION for INDUCTION MOTOR



Contents

- | | |
|--------------------------------------|-----------|
| 1 . Data Sheet of AC Induction Motor | - 1Sheets |
| 2 . Speed-Torque & Current Curve | - 1Sheets |
| 3 . Outline Dimension Drawing | - 1Sheets |
| 4 . Main Terminal Box Drawing | - 1Sheets |

AC INDUCTION MOTOR DATA SHEET

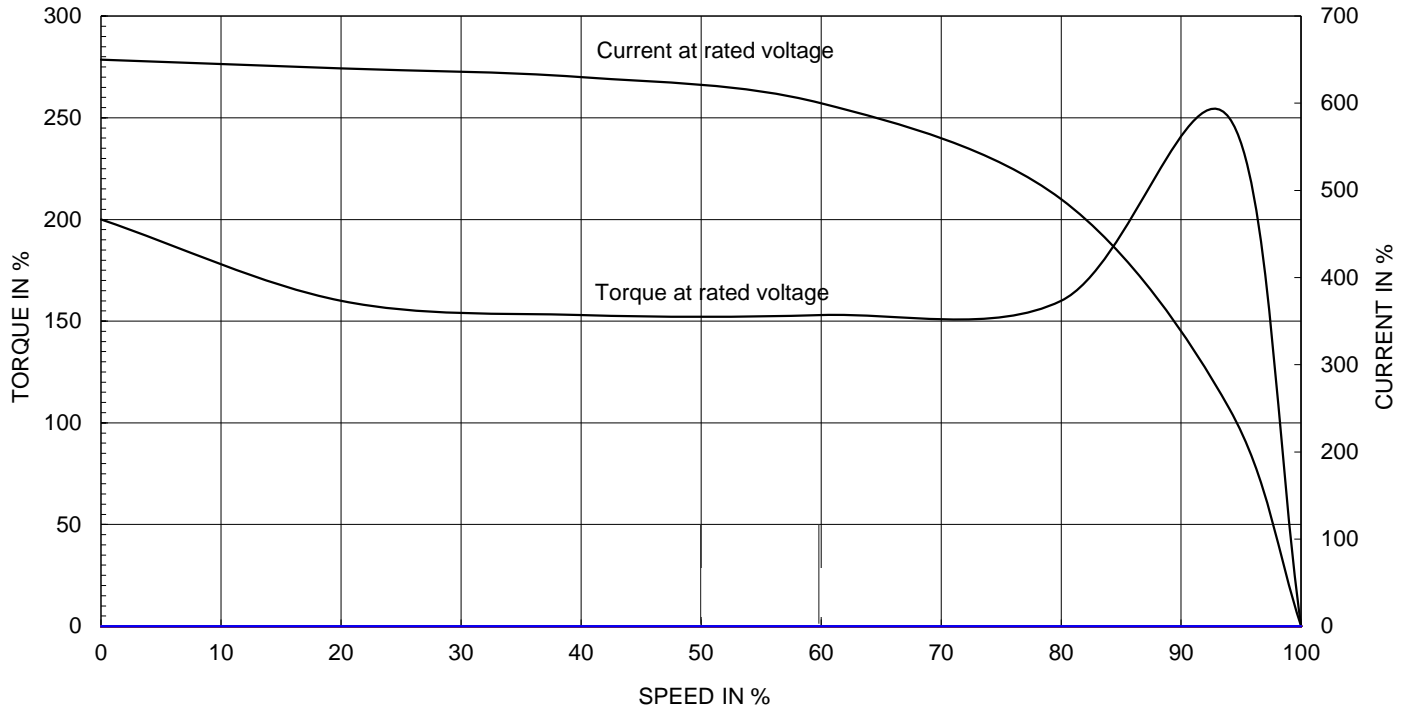
Model No.or RFQ No.	2206KSTD40SSDS1STFE3B31DL0SDS	Item No.		Rev. No.	[]		
Project Name		Project No.		Quantity			
GENERAL SPECIFICATION			PERFORMANCE DATA				
Frame Size	90L	Rated Output	1.1 kW	2 HP			
Type	HLP	Number of Poles	4				
Enclosure(Protection)	Totally Enclosed (IP55)	Rotor Type	Squirrel Cage				
Method of Cooling	IC411(FC)	Starting Method*	<input checked="" type="checkbox"/> D.O.L	<input type="checkbox"/> Y-Δ			
Rated Frequency	60 Hz	Rated Voltage	220 V				
Number of Phases	3	Current	Full Load	4.6 A			
Insulation Class	<input checked="" type="checkbox"/> F <input type="checkbox"/> B <input type="checkbox"/> H		Locked-rotor**	900 %			
Temp. Rise at full load (by resistance method)		Efficiency					
at 1.0 S.F	80 deg. C	50% Load		80.5 %			
Motor Location	<input checked="" type="checkbox"/> Indoor <input type="checkbox"/> Outdoor	75% Load		86.7 %			
Altitude	Less than 1000	100% Load		86.5 %			
Relative Humidity	Less than 80 %	Power Factor(p.u)					
Ambient Temp.	40 deg. C (Max.)	50% Load		0.480			
Duty Type	Continuous(S1)	75% Load		0.620			
Service Factor	1.15	100% Load		0.720			
Mounting	<input checked="" type="checkbox"/> B3 <input type="checkbox"/> B5 <input type="checkbox"/> V1 <input type="checkbox"/> B3/B5	Speed at Full Load	1735 r.p.m				
Bearing	Type	Anti-Friction					
	DE/N-DE	6205ZZC3 / 6204ZZC3					
	Lubricant	Grease(SML4)					
External Thrust	Not applicable						
Coupling Method	<input checked="" type="checkbox"/> Direct <input type="checkbox"/> V-Belt	Moment of Inertia (J)					
Shaft Extension	<input checked="" type="checkbox"/> Single <input type="checkbox"/> Double	Load(Max.)		1.023 kg·m ²			
Terminal Box	Main	<input type="checkbox"/> Steel <input checked="" type="checkbox"/> Cast Iron	Motor		0.003 kg·m ²		
	Aux.	<input type="checkbox"/> Yes <input checked="" type="checkbox"/> No	Sound Pressure Level (No-load & mean value at 1m from motor)				
	Location	Refer to Outline Drawing					
Application		Vibration					
Area classification	Non-Hazardous	Permissible number of consecutive starts		Cold	3 times		
Type of Ex-Protection	Not applicable			Hot	2 times		
Applicable Standard	KS,IEC, NEMA MG1 Part30(Vpeak)	Paint	Munsell No.	4.4PB5.5/5.6(VL-451)			
ACCESSORIES			SUBMITTAL DRAWING				
			Outline Dimension Drawing		Motor Weight(Approx.)		
			B3	LM-T1095B3PL001	25 kg		
			Main T-Box Ass'y		3M-148548		
REMARK							
			* Premium Efficiency				
			* For use on PWM VFD 10:1VT, 3:1CT@1.0S.F&F Temp. rise				
SPARE PARTS							
			Date	DSND	CHKD		
			2011-09-01	R.G. KIM	O.J. KIM		
				CHKD	APPD		
				J.H. KIM	K.J. KANG		

Note: Others not mentioned in this data sheet shall be in accordance with maker standard.
 Above technical data are only design values and shall be guaranteed with tolerance of applicable standard.
 Inspection and performance test shall be maker standard, if not mentioned.
 * In case of Inverter-Fed Motor, performance data is based on sine wave tests.
 ** The data are based on rated voltage & frequency, and data are expressed as a percentage of full load value.

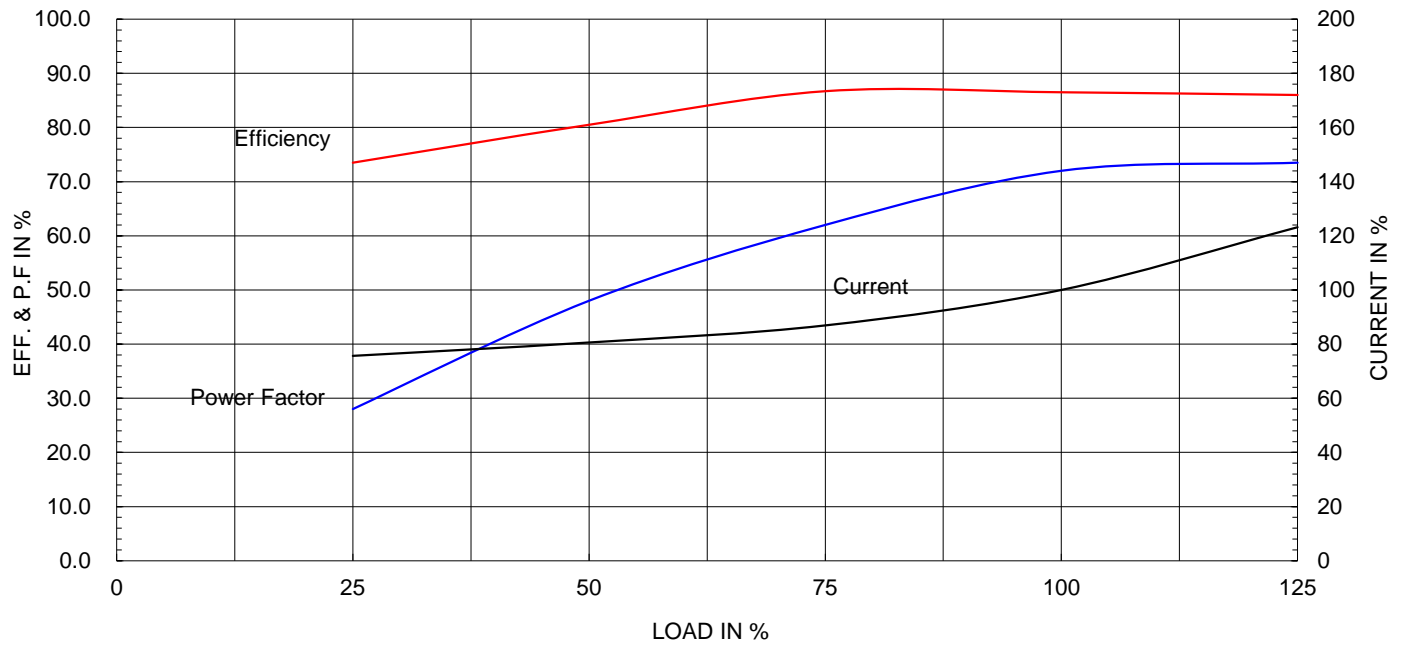
Type :	HLP
Full Load Torque :	0.6 kg.m
Motor moment of Inertia (J) :	0.003 kg.m ²
Load moment of Inertia (J) :	1.023 kg.m ²

1.1 kW	4 P	60 Hz
Speed at Full Load :		1735 RPM
Rated Voltage	220V	
Full Load Current	4.6A	

SPEED VS TORQUE & CURRENT CURVE



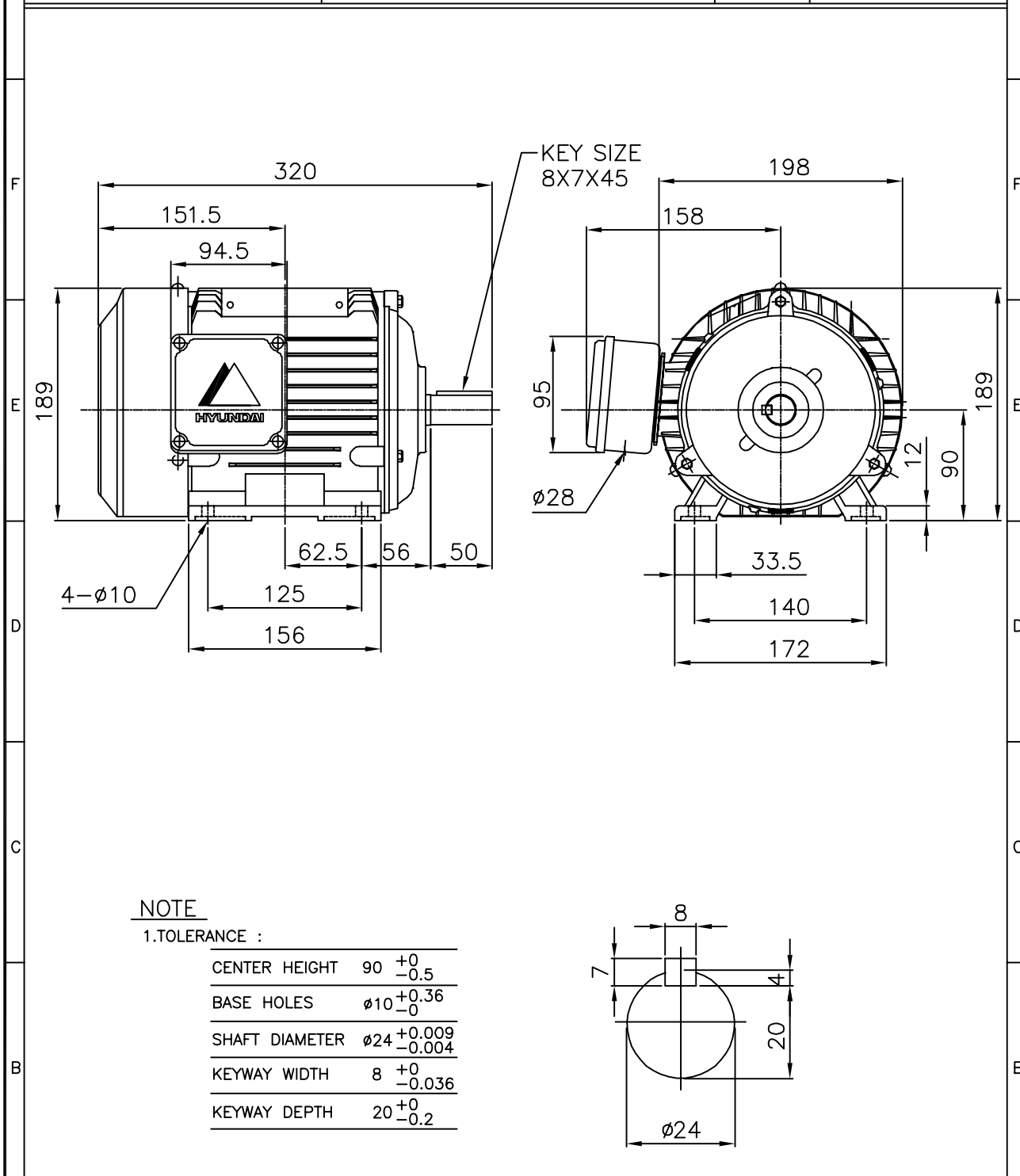
OUTPUT VS EFF., P.F & CURRENT CURVE



THIS DRAWING IS PROPRIETARY TO HHI. NO PART OF THIS DRAWING MAYBE REPRODUCED WITHOUT THE PERMISSION OF HHI.

본 도면은 현대중공업(주) 재산이므로 허가없이 복사할 수 없음 (취급유의)

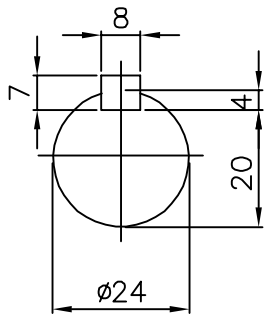
HYUNDAI HEAVY INDUSTRIES CO., LTD.	<h1 style="margin: 0;">TEFC</h1> <h2 style="margin: 0;">THREE PHASE INDUCTION MOTOR</h2>	TYPE	HL, HLS AL FRAME
--	--	-------------	---------------------



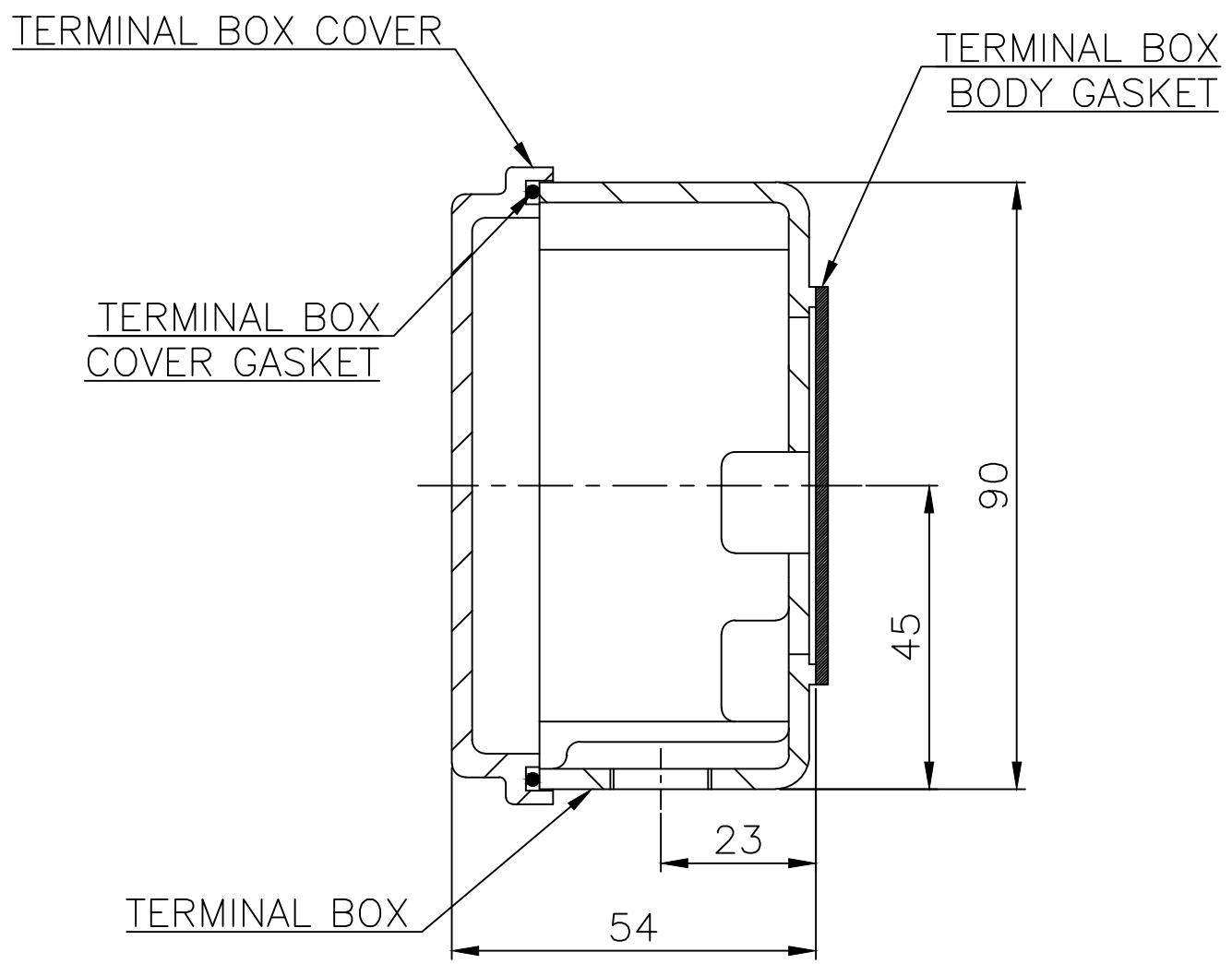
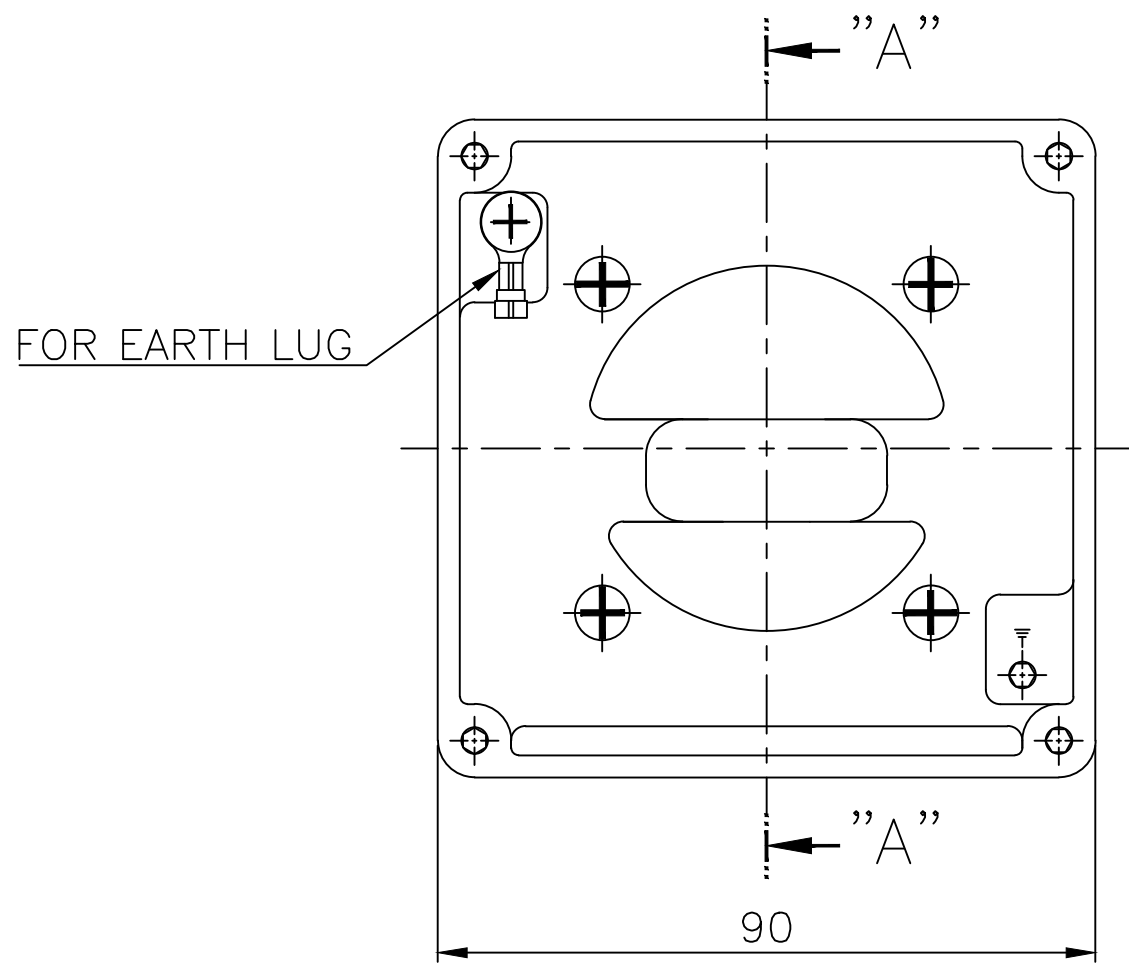
NOTE

1.TOLERANCE :

CENTER HEIGHT	90	$\begin{matrix} +0 \\ -0.5 \end{matrix}$
BASE HOLES	$\phi 10$	$\begin{matrix} +0.36 \\ -0 \end{matrix}$
SHAFT DIAMETER	$\phi 24$	$\begin{matrix} +0.009 \\ -0.004 \end{matrix}$
KEYWAY WIDTH	8	$\begin{matrix} +0 \\ -0.036 \end{matrix}$
KEYWAY DEPTH	20	$\begin{matrix} +0 \\ -0.2 \end{matrix}$



Q'TY	DESCRIPTION	MATERIAL	DIMENSION	WEIGHT	PART NO.	CONDENSER BOX	NO.
APPD BY	J. H. KIM	UNIT	mm	SUBJECT	KS 90L		DWG SIZE
CHKD BY	Y. S. KIM	SCALE		TITLE	Outline		A4 ()
CHKD BY	S. H. KO	PROJEC'N	3각법 (3rd Angle)				
DSND BY	I. K. KIM	DATE	2011-10-22	REF. NO	227B5000TA03	Sheet No.	of
HYUNDAI HEAVY INDUSTRIES CO., LTD.				DWG NO	LM-T1095B3PL001	Revision No.	0



SEC. "A" - "A"

▽	50S
▽▽	12.5S
▽▽▽	3.2S
▽▽▽▽	0.4S

REV	DATE	CONTENTS	REVD BY	CHKD BY	CHKD BY	APPD BY

일반가공공차		일반계관공차	
1-4	±0.1	6-30	±0.5
4-18	±0.2	30-120	±0.8
18-63	±0.3	120-315	±1.2
63-250	±0.5	315-1000	±2.0
250-	±0.8	1000-	±3.0

Q'TY	DESCRIPTION	MATERIAL	DIMENSION	WEIGHT	PART NO.	REMARK	NO.
APPD BY	S.K.HAN	UNIT	mm	SUBJECT	FR.71~90 (AL)	DWG SIZE	A3 (1:1)
CHKD BY	S.Y.KIM	SCALE	1/1	TITLE Terminal Box Arrangement			
CHKD BY	R.G.KIM	PROJEC'N	3각법(3rd Angle)				
DSND BY	이혜경R	DATE	2011-10-26	REF. NO	227B1537AA	Sheet No.	of
				DWG NO	3M-148548	Revision No.	2